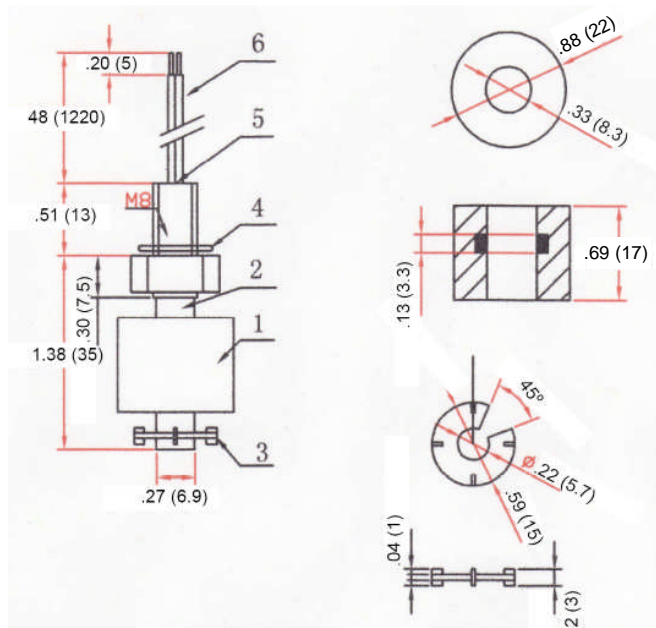




N/C Only Float Switch (FLT133)

- Versatile, economical and compact.
- UL Listed internal reed switch.
- Normally closed; cannot be reversed for normally open operation.
- M8 stem threading – each switch comes with a nut and silicon o-ring.
- Warranted against manufacturer defect for 90 days from delivery date.



Unit: Inches (mm)

Operation: When the float drops to within .12" (+/- .04") of the bottom clip, the internal reed contacts draw together and complete a circuit. When the float rises .20" (+/- .04") from the bottom clip, the contacts separate and open the circuit.

Materials:

1. Float: Polypropylene Foam
2. Stem: POM
3. Nut: Polypropylene
4. O-ring: Silicon
5. Clip: POM
6. Leads: 1007 AWG22, 48", black
7. Top Fill: Epoxy

Specifications:*

- Temperature: -10 ~ +90°C
Contact rating: 50W
Max Switching Voltage: <=220VAC
Min Breakdown Voltage: 600VDC
Max Switching Current: 2.5A
Max Contact Resistance: 100mΩ
Specific Gravity: .8

*Can be customized to your requirements