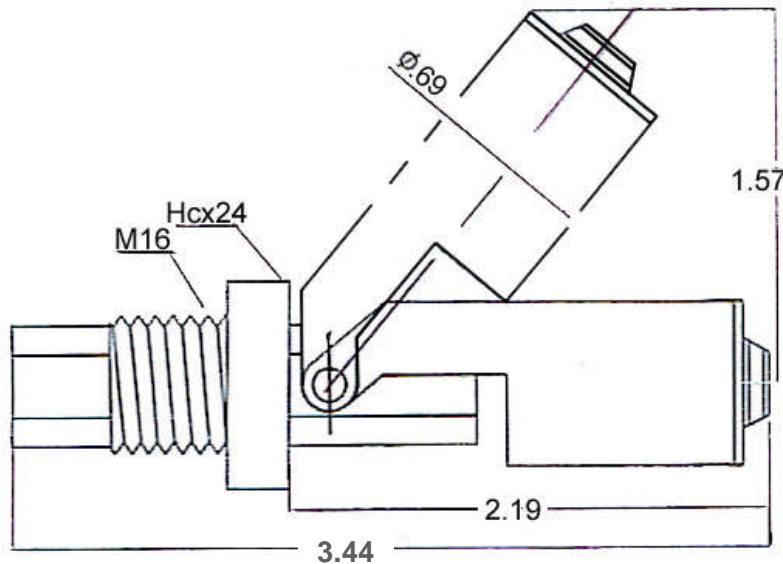




## FLT 231 Polypropylene Float Switch

- Versatile, economical and compact
- UL Listed internal reed switch
- Normally closed; can be inverted for normally open operation
- M16 stem threading – each switch comes with a nut and silicon o-ring
- Warranted against manufacturer defect for 90 days from delivery date



Unit: Inches

**Operation:** When the float drops to within .12" (+/- .04") of the horizontal position, the internal reed contacts draw together and complete a circuit. When the float rises .20" (+/- .04") from the horizontal position, the contacts separate and open the circuit.

### Materials:

1. Float: Polypropylene
2. Stem: Polypropylene
3. Nut: Polypropylene
4. O-ring: Silicon
5. Clip: None
6. Leads: 1007 AWG22, 13", black

### Specifications:\*

- Temperature: -10 ~ +80°C  
Contact rating: 50W  
Max Switching Voltage: 100VDC  
Min Breakdown Voltage: 150VDC  
Max Switching Current: 0.5A  
Max Contact Resistance: 100mΩ

\*Can be customized to your requirements